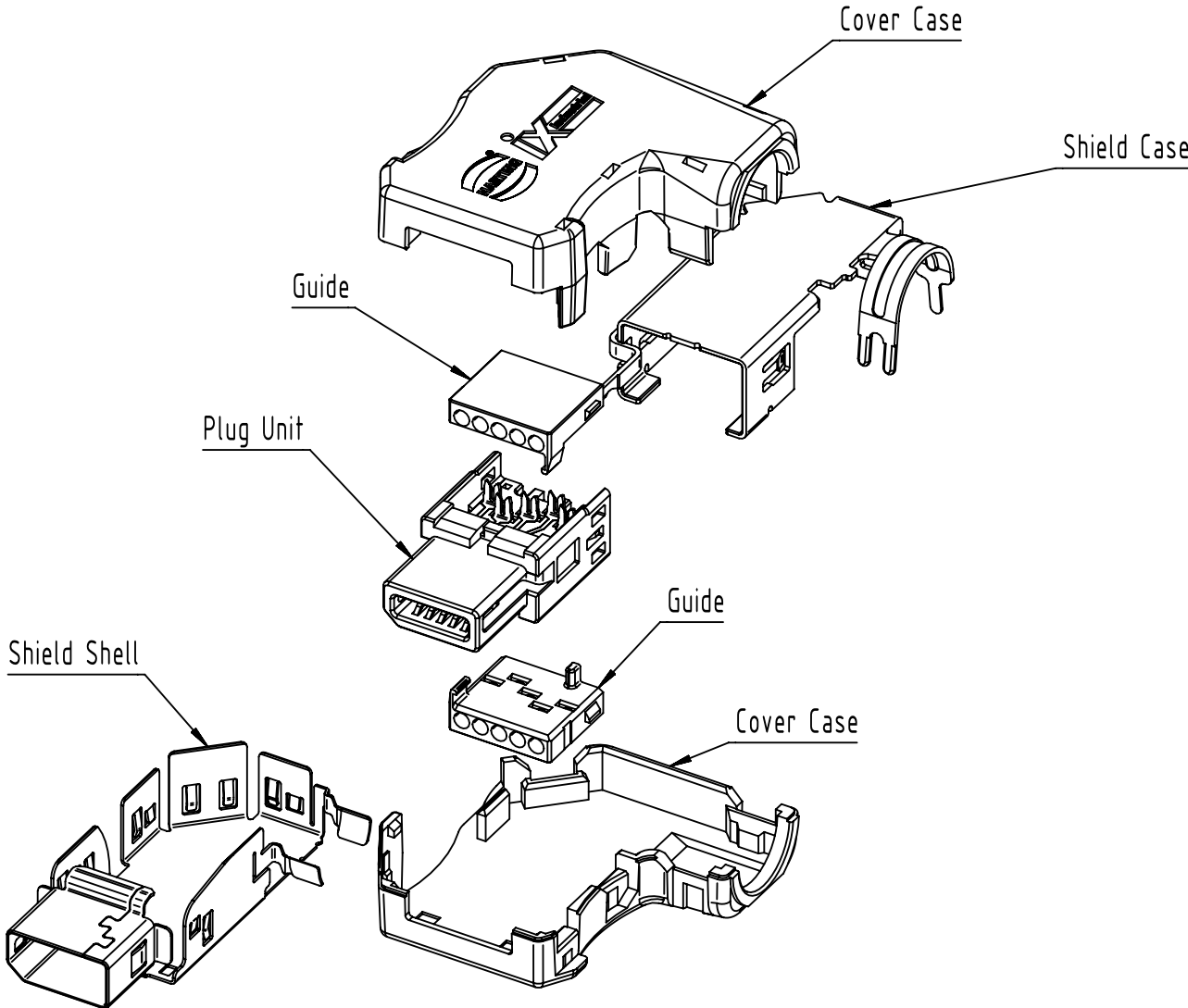
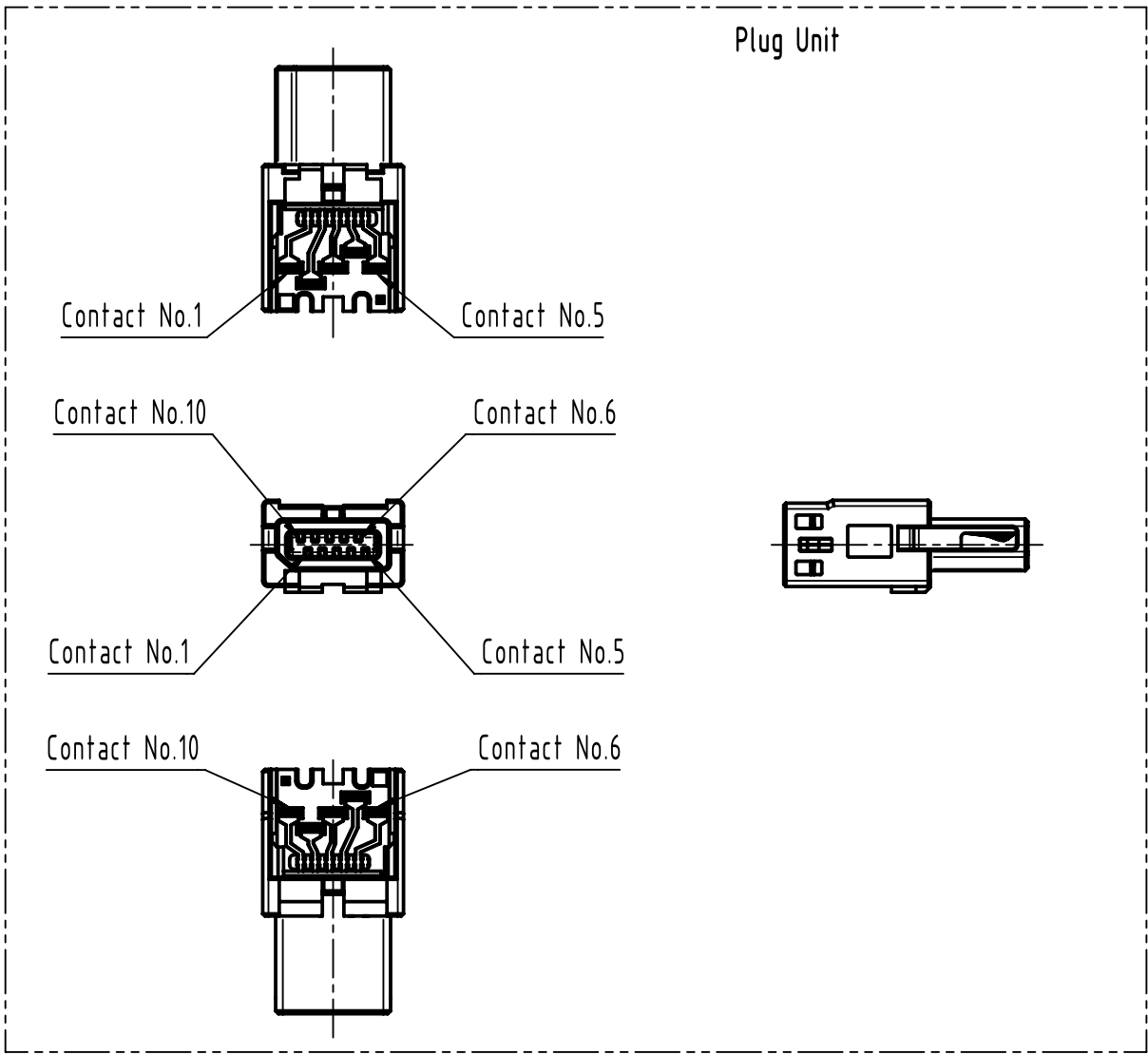
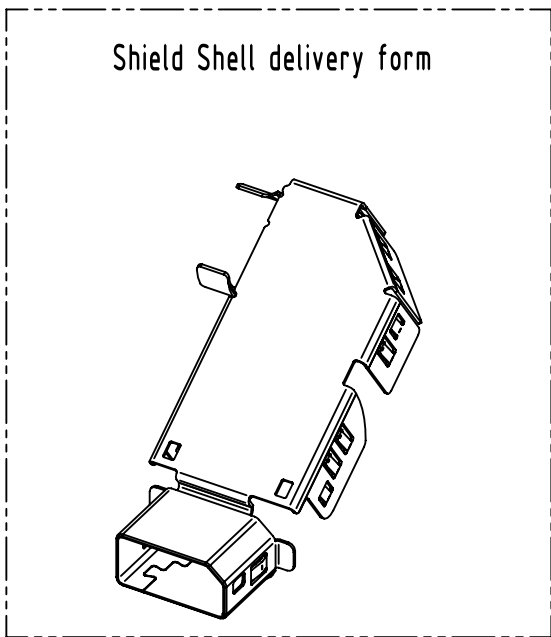


Applicable cable	
Items	Applicable condition
Conductor size	AWG 24
Insulation O.D.	$\varnothing 1,1$ to $1,25$ mm
Braid Shield	Tin plating
Sheath O.D.	$\varnothing 5,5$ mm - $\varnothing 7,2$ mm

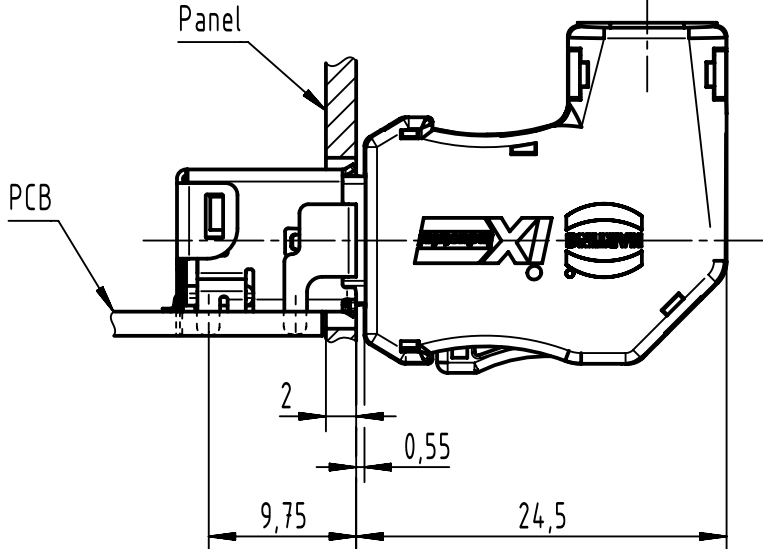
Pin	10/100 Mbit/s	1/10 Gbit/s
1	TX+	BI_DA+
2	TX-	BI_DA-
3	N.C.	N.C.
4	N.C.	BI_DC+
5	N.C.	BI_DC-
6	RX+	BI_DB+
7	RX-	BI_DB-
8	N.C.	N.C.
9	N.C.	BI_DD+
10	N.C.	BI_DD-

Contact material: copper alloy  
 Contact area: Gold 0,2 $\mu$ m min.  
 Wiring area: Gold 0,03 $\mu$ m min.  
 Under plating: Nickel 2 $\mu$ m min.

	All Dimensions in mm Original Size DIN A3		Scale 2:1	Free size tol.		Ref.
	All rights reserved Department EL PD		Created by BALSAN	Inspected by PREOTU	Standardisation ROEBEN	Date 2022-05-20
HARTING D-32339 Espelkamp		Title ix Industrial 10A-1 plug A3-I24			Doc-Key / ECM-Nr. 100903654/UGD/000/B 500000216903	
		Type TB	Number 09451812587XL		Rev. B	Page 1/2



Mating condition (2:1)



	All Dimensions in mm Original Size DIN A3		Scale 2:1	Free size tol.		Ref.
	All rights reserved Department EL PD		Created by BALSAN	Inspected by PREOTU	Standardisation ROEBEN	Date 2022-05-20
HARTING D-32339 Espelkamp		Title ix Industrial 10A-1 plug A3-I24			Doc-Key / ECM-Nr. 100903654/UGD/000/B 500000216903	
		Type TB	Number 09451812587XL		Rev. B	Page 2/2